

NH fuse-links gG 690VAC

top indicator/live gripping-lugs size 4 and 4a

LOW VOLTAGE IEC FUSES

IEC NH FUSE-LINKS



The NH system is classified among plug-in fuse systems and is composed of:

- fuse-base (possibly including terminal covers and phase barriers)
- fuse-link with blade contact
- fuse-link replacement device (LV HRC fuse puller)

Since the design of this system cannot guarantee non-interchangeability of rated current it must be handled by a qualified professional.

Type “gG” NH fuse-links are full range breaking capacity fuse-links and are used to protect cables and equipment. They can interrupt any current surge, from the lowest fusing current up to their breaking capacity, and so can be used alone as protection. They also protect electrical devices and industrial set-ups from the electrodynamic effects of very high short-circuit currents.

TECHNICAL DATA OVERVIEW

Voltage AC	690 VAC
Voltage DC	250 VDC
Ampere Range (A)	400 ... 1000 A
Size per Standard	4, 4a
Speed/Characteristic	gG
I.R. AC (IEC)	120 kA
I.R. DC (IEC)	70 kA
Body Material	ceramic
Contact Materials	copper, silver-plated

FEATURES & BENEFITS

- Dimensions in accordance with DIN 43 620
- Live tags
- Top indicator
- Lead free contact blades
- 0% cadmium

APPLICATIONS

- gG: General purpose (protection of cables and LV-networks)

STANDARDS

- IEC/EN 60269-1 and -2
- VDE 0636 Part 201



NH fuse-links gG 690VAC

top indicator/live gripping-lugs size 4 and 4a

PRODUCT RANGE

Size 4 gG 690VAC top indicator

Catalog number	Item number	Rated voltage AC (IEC)	Rated voltage DC (IEC)	Rated current I _n	Power dissipation at I _n	Width	Package	Weight
NH4GG69V400-8	N214004	690 V	250 kV	400 A	32 W	100 mm	1	2.1 kg
NH4GG69V500-8	Y215025	690 V	250 V	500 A	40 W	100 mm	1	2.1 kg
NH4GG69V630-8	E215537	690 V	250 V	630 A	53 W	100 mm	1	2.1 kg
NH4GG69V800-8	K216554	690 V	250 V	800 A	68 W	100 mm	1	2.1 kg



NH4AGG69V1000-8

Size 4a gG 690VAC top indicator

Catalog number	Item number	Rated voltage AC (IEC)	Rated voltage DC (IEC)	Rated current I _n	Power dissipation at I _n	Width	Package	Weight
NH4AGG69V630-8	T1034511	690 V	250 V	630 A	47 W	98 mm	1	2.58 kg
NH4AGG69V800-8	V1034512	690 V	250 V	800 A	67 W	98 mm	1	2.58 kg
NH4AGG69V1000-8	W1034513	690 V	250 V	1000 A	73 W	98 mm	1	2.58 kg

TECHNICAL DATA

	size 4	size 4a
Rated current	400 ... 800 A	500 ... 1000 A
Rated breaking capacity AC	120 kA	120 kA
Rated voltage AC	690 V	690 V
Rated voltage DC	250 V	250 V
Indication System	top indicator	top indicator
Width	100 mm	100 mm

MERSEN reserves the right to change, update or correct, without notice, any information contained in this datasheet.



Shah & Shah Enterprise

www.shahent.co.in

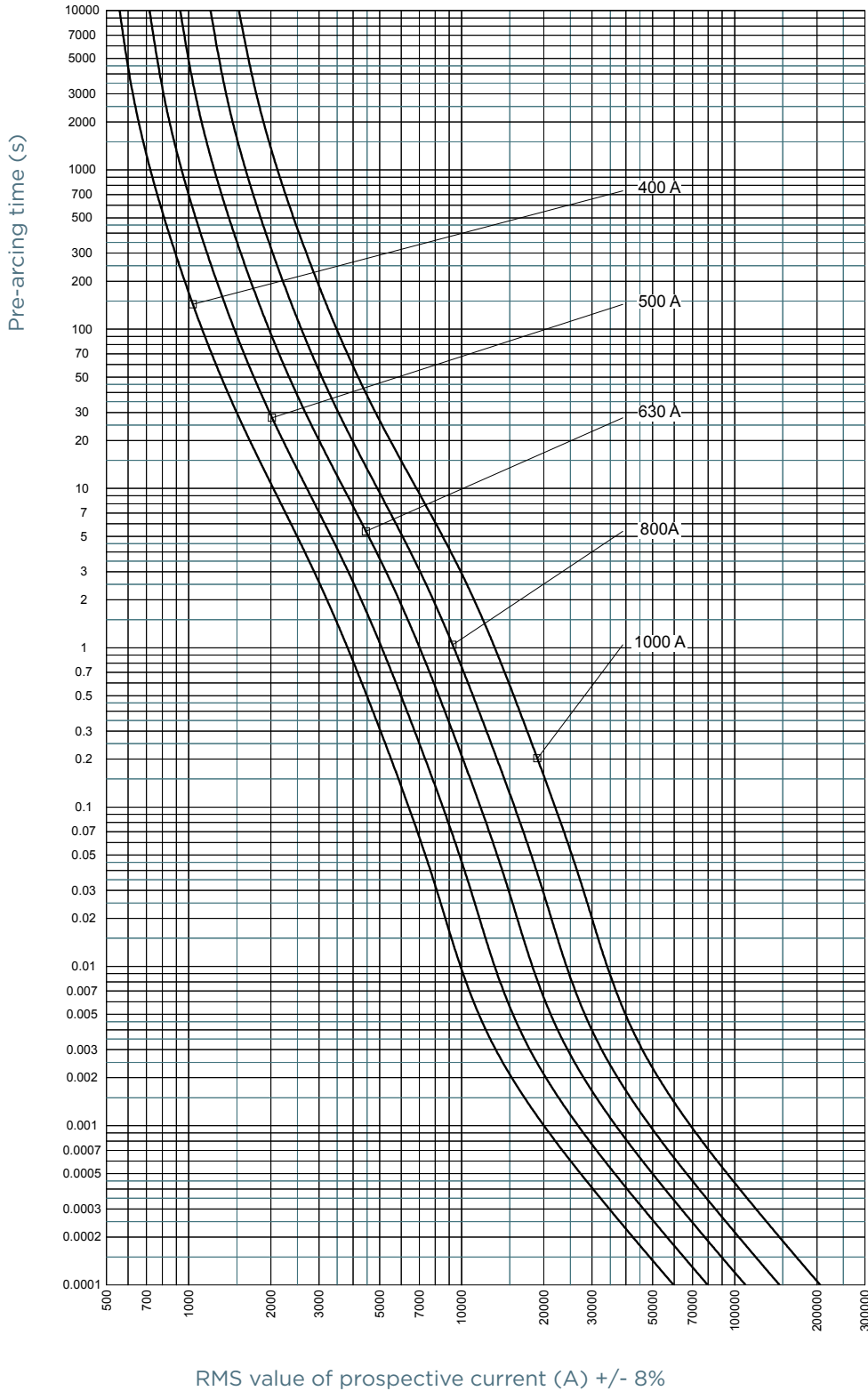
NH fuse-links gG 690VAC

top indicator/live gripping-lugs size 4 and 4a

TIME CURRENT CHARACTERISTIC CURVES

Size 4, 400-800A

Size 4a, 500-1000A



MERSEN reserves the right to change, update or correct, without notice, any information contained in this datasheet.



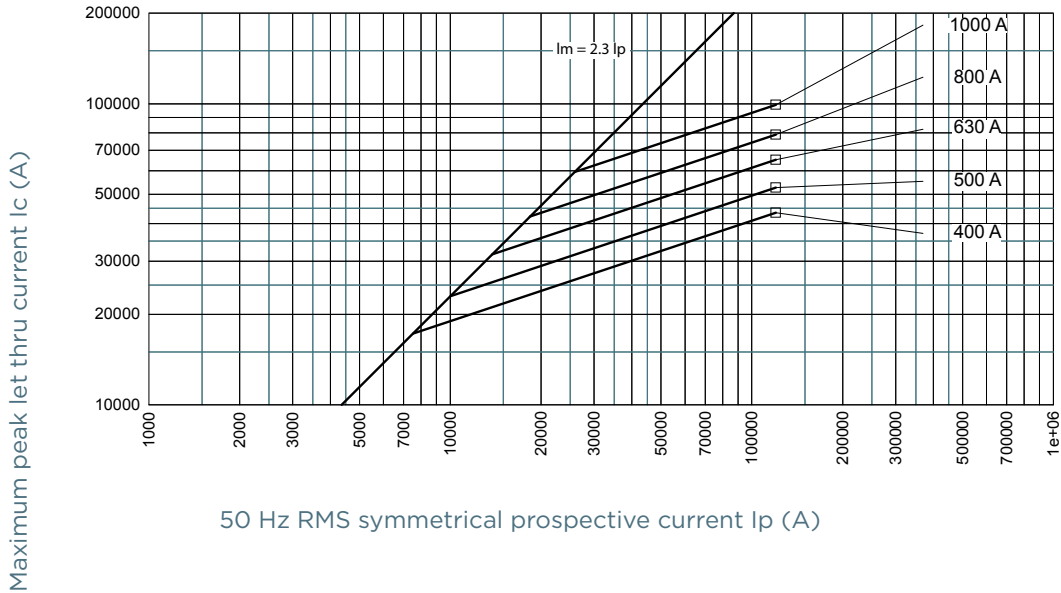
NH fuse-links gG 690VAC

top indicator/live gripping-lugs size 4 and 4a

CUT-OFF CURRENT CHARACTERISTIC

Size 4, 400-800A

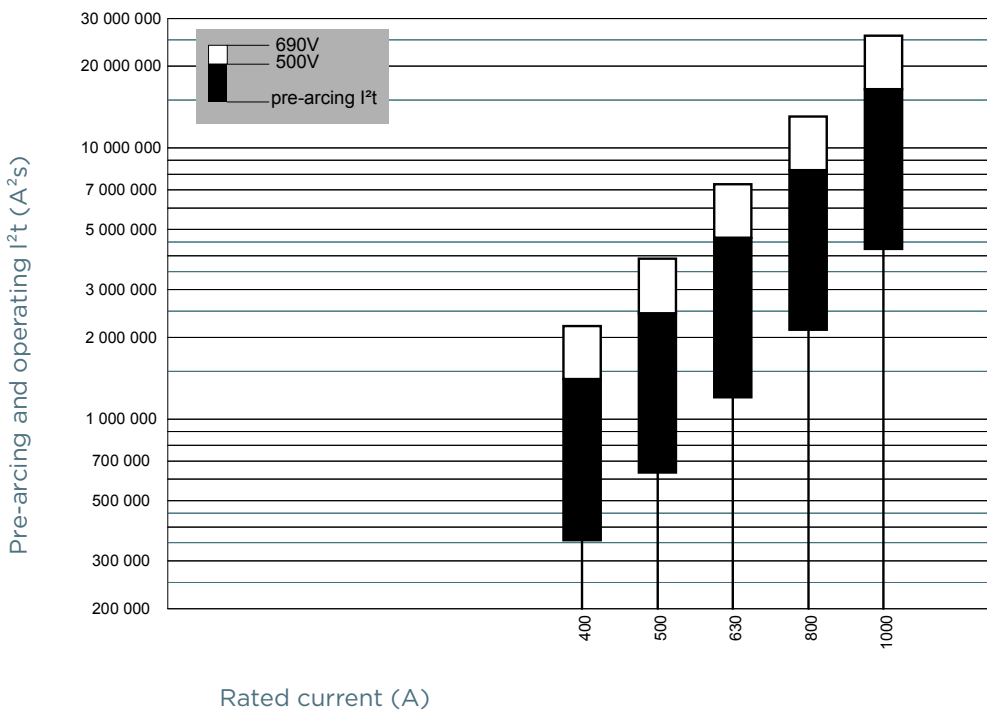
Size 4a, 500-1000A



PRE-ARCING AND OPERATING I^2t CHARACTERISTICS

Size 4, 400-800A

Size 4a, 500-1000A



MERSEN reserves the right to change, update or correct, without notice, any information contained in this datasheet.

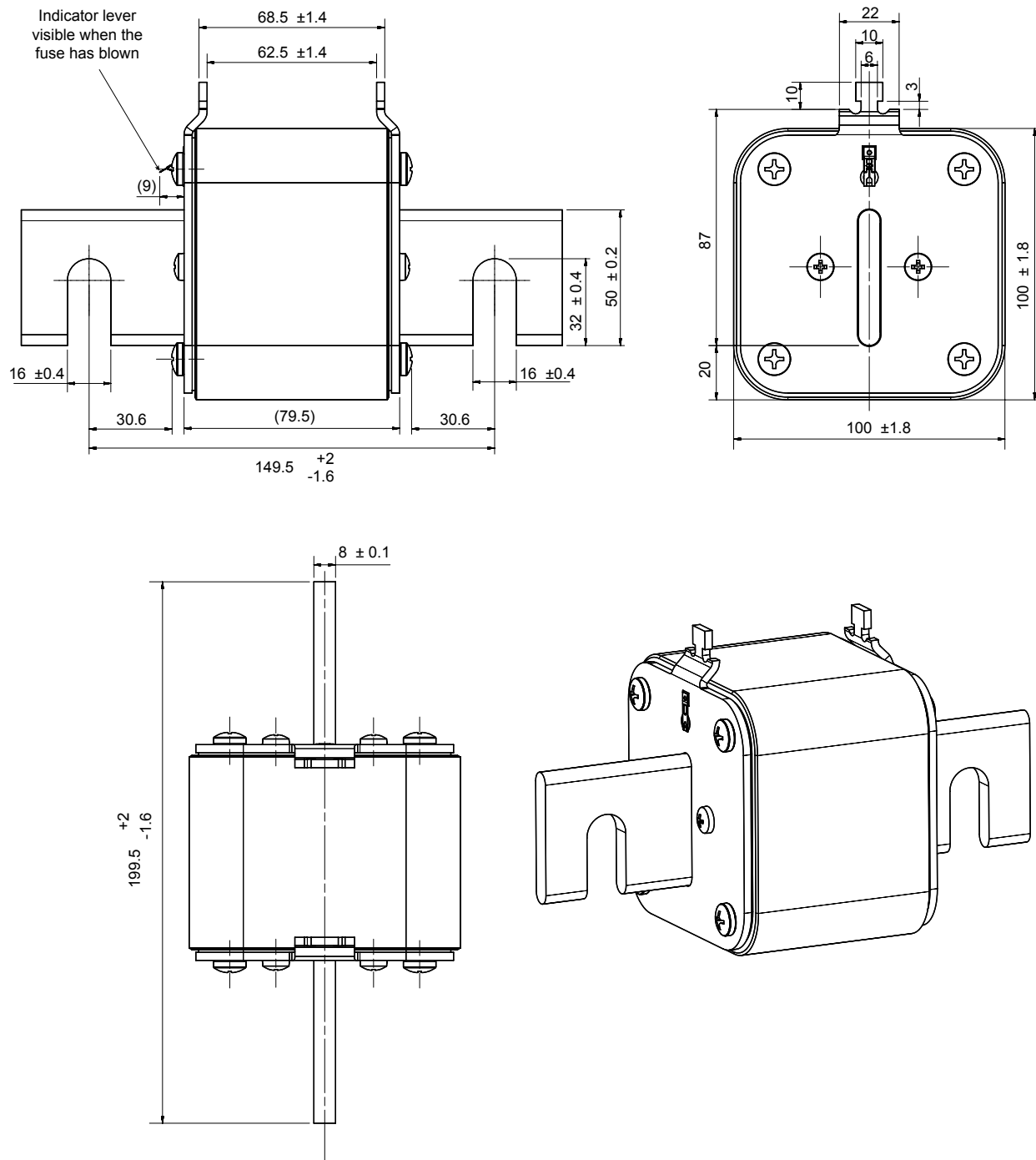


NH fuse-links gG 690VAC

top indicator/live gripping-lugs size 4 and 4a

DIMENSIONS

Size 4 with top indicator



Dimensions in mm

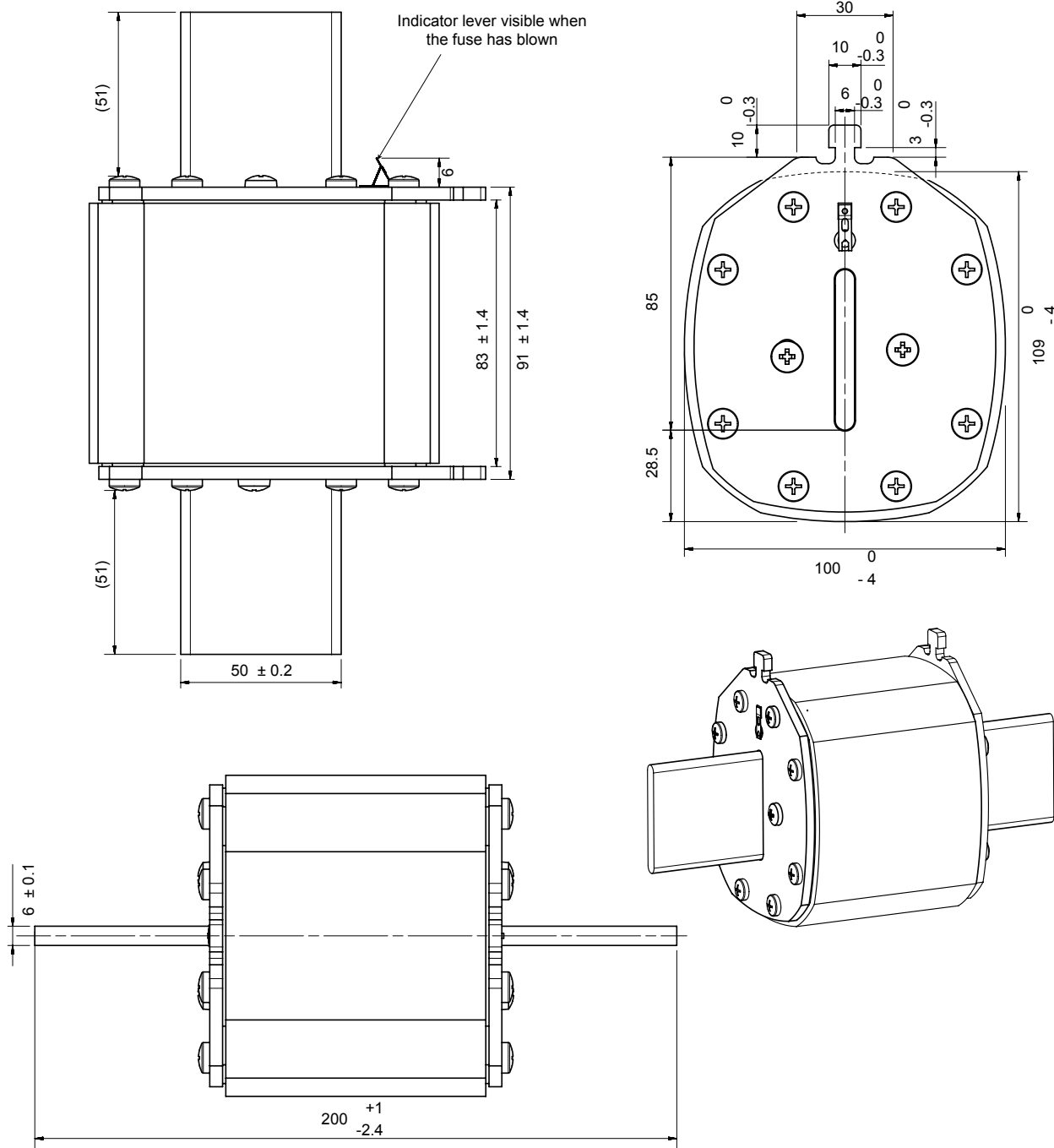


NH fuse-links gG 690VAC

top indicator/live gripping-lugs size 4 and 4a

DIMENSIONS

Size 4a with top indicator



Dimensions in mm